



## RP 51K

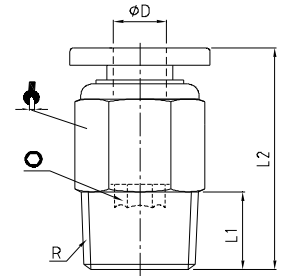


### Diritto maschio conico BSPT

Male straight taper BSPT

Gerade Einschraubverschraubung konisches Gewinde

Codice/Code	ØD	R"	L1	L2	○	⚙			
RP51K1804	4	R1/8	7.5	20	3	10			10
RP51K1404	4	R1/4	9.5	18	3	14			10
RP51K3804	4	R3/8	10.5	19	3	17			10
RP51K1806	6	R1/8	7.5	20.5	4	12			10
RP51K1406	6	R1/4	9.5	22.5	4	14			10
RP51K3806	6	R3/8	10.5	20.5	4	17			10
RP51K1206	6	R1/2	13.5	24.5	4	21			10
RP51K1808	8	R1/8	7.5	25.5	5	14			10
RP51K1408	8	R1/4	9.5	24.5	5	14			10
RP51K3808	8	R3/8	10.5	21.5	6	17			10
RP51K1208	8	R1/2	13.5	25.5	6	21			10
RP51K1810	10	R1/8	7.5	29.5	5	17			10
RP51K1410	10	R1/4	9.5	31	6	17			10
RP51K3810	10	R3/8	10.5	28.5	8	17			10
RP51K1210	10	R1/2	13.5	26.5	8	21			10
RP51K1812	12	R1/8	7.5	30	5	21			10
RP51K1412	12	R1/4	9.5	30	6	21			10
RP51K3812	12	R3/8	10.5	29	8	21			10
RP51K1212	12	R1/2	13.5	32.5	8	21			10
RP51K3814	14	R3/8	10.5	34	8	22			10
RP51K1214	14	R1/2	13.5	33	10	22			10
RP51K3815	15	R3/8	10.5	37	8	24			10
RP51K1215	15	R1/2	13.5	35	10	24			10
RP51K3816	16	R3/8	10.5	37.5	8	24			10
RP51K1216	16	R1/2	13.5	39.5	10	24			10



## RP 51TK

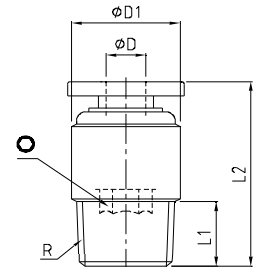


### Diritto tondo maschio conico BSPT

Round male straight taper BSPT

Rund Gerade Einschraubverschraubung, konisches Gewinde

Codice/Code	ØD	R"	L1	L2	ØD1	○			
RP51TK1804	4	R1/8	7.5	20	10	3			10
RP51TK1404	4	R1/4	9.5	18	14	3			10
RP51TK1806	6	R1/8	7.5	20.5	12	4			10
RP51TK1406	6	R1/4	9.5	22.5	14	4			10
RP51TK3806	6	R3/8	10.5	20.5	17	4			10
RP51TK1808	8	R1/8	7.5	25.5	14	5			10
RP51TK1408	8	R1/4	9.5	24.5	14	5			10
RP51TK3808	8	R3/8	10.5	21.5	17	6			10
RP51TK1208	8	R1/2	13.5	25.5	21	6			10
RP51TK1810	10	R1/8	7.5	29.5	17	5			10
RP51TK1410	10	R1/4	9.5	31	17	6			10
RP51TK3810	10	R3/8	10.5	28.5	17	8			10
RP51TK1210	10	R1/2	13.5	26.5	21	8			10
RP51TK1812	12	R1/8	7.5	31	21	5			10
RP51TK1412	12	R1/4	9.5	33	21	6			10
RP51TK3812	12	R3/8	10.5	30	21	8			10
RP51TK1212	12	R1/2	13.5	32.5	21	8			10



## Raccordi ad innesto rapido in polimero

### Plastic push-in fittings

### Steckverschraubungen Kunststoff

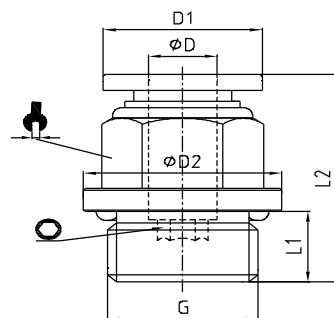
#### RP 51



#### Diritto maschio cilindrico BSPP-metrico

Male straight parallel BSPP-metric  
Gerade Einschraubverschraubung zylindrisches Gewinde

Codice/Code	ØD	G"	D1	ØD2	L1	L2	○	⚡	🔧
RP51M504	4	M5	10	8	3.5	20.3	2	10	10
RP51M604	4	M6	10	9	4	20.8	2	10	10
RP511804	4	G1/8	12	14	5.5	19.5	3	10	10
RP511404	4	G1/4	12	17	7.5	18.6	3	10	10
RP513804	4	G3/8	12	20	7.5	19.6	3	10	10
RP51M506	6	M5	12	8	3.5	21	2	12	10
RP51M606	6	M6	12	9	4	21	2	12	10
RP511806	6	G1/8	14	14	5.5	22	4	12	10
RP511406	6	G1/4	14	17	7.5	22.5	4	12	10
RP513806	6	G3/8	14	20	7.5	20.3	4	12	10
RP511206	6	G1/2	14	24	10	23	4	12	10
RP511808	8	G1/8	16	14	5.5	25	4	14	10
RP511408	8	G1/4	16	17	7.5	24	5	14	10
RP513808	8	G3/8	16	20	7.5	20.5	6	14	10
RP511208	8	G1/2	16	24	10	24	6	14	10
RP511810	10	G1/8	19.5	14	5.5	29	4	17	10
RP511410	10	G1/4	19.5	17	7.5	30.5	6	17	10
RP513810	10	G3/8	19.5	20	7.5	27	8	17	10
RP511210	10	G1/2	19.5	24	10	30	8	17	10
RP511812	12	G1/8	23	14	5.5	30	4	21	10
RP511412	12	G1/4	23	17	7.5	33	6	21	10
RP513812	12	G3/8	23	20	7.5	28	8	21	10
RP511212	12	G1/2	23	24	10	30.5	8	21	10
RP513814	14	G3/8	23	22	7.5	32.5	8	22	10
RP511214	14	G1/2	23	24	10	30	10	24	10
RP513815	15	G3/8	27	24	7.5	34.5	8	24	10
RP511215	15	G1/2	27	24	10	31.5	10	24	10
RP513816	16	G3/8	27	20	7.5	35	8	24	10
RP511216	16	G1/2	27	24	10	37	10	24	10



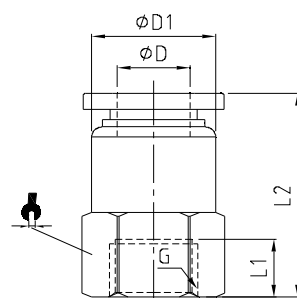
#### RP 52



#### Femmina diritto

Female straight  
Manometerverschraubung

Codice/Code	ØD	G"	L1	L2	ØD1	⚡	○	🔧	🔧
RP52M504	4	M5	5.5	21	10	10			10
RP52M604	4	M6	6	21.5	10	10			10
RP521804	4	G1/8	8.5	24	10	14			10
RP521404	4	G1/4	11	26.5	10	17			10
RP52M506	6	M5	5.5	21.5	12	12			10
RP52M606	6	M6	6	22	12	12			10
RP521806	6	G1/8	8.5	24.5	12	14			10
RP521406	6	G1/4	11	27	12	17			10
RP523806	6	G3/8	12	28	12	21			10
RP521808	8	G1/8	8.5	26	14	14			10
RP521408	8	G1/4	11	28.5	14	17			10
RP523808	8	G3/8	12	29.5	14	21			10
RP521208	8	G1/2	14	31.5	14	24			10
RP521810	10	G1/8	8.5	29.5	17	17			10
RP521410	10	G1/4	11	32.7	17	17			10
RP523810	10	G3/8	12	33	17	21			10
RP521210	10	G1/2	14	35.7	17	24			10
RP521412	12	G1/4	11	33.5	20	21			10
RP523812	12	G3/8	12	34.5	20	21			10
RP521212	12	G1/2	14	36.5	20	24			10

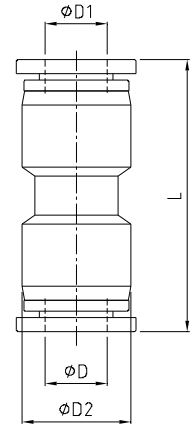


## RP 53



**Diritto intermedio**  
Straight intermediate  
Gerader Verbinder

Codice/Code	ØD	ØD1	ØD2	L						
RP530004	4	4	11.5	34						10
RP530006	6	6	13.5	35.5						10
RP530008	8	8	15	38.5						10
RP530010	10	10	19	48						10
RP530012	12	12	21.5	49						10
RP530014	14	14	23.5	50						10
RP530015	15	15	26.5	66						10
RP530016	16	16	26.5	66						10
RP530604	6	4	13.5	35.5						10
RP530804	8	4	15	38.5						10
RP530806	8	6	15	38.5						10
RP531006	10	6	19	46						10
RP531008	10	8	19	47						10
RP531208	12	8	21.5	48						10
RP531210	12	10	21.5	49						10

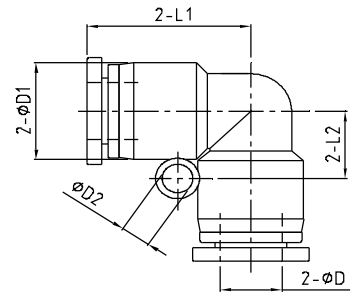


## RP 54



**L intermedio**  
L intermediate  
Winkelverbinder

Codice/Code	ØD	ØD1	ØD2	L1	L2					
RP540004	4	11.5	3.2	19	7					10
RP540006	6	13.5	3.2	19.2	8					10
RP540008	8	15	3.2	22.5	10					10
RP540010	10	19	4.2	27.8	12					10
RP540012	12	21.5	4.2	29.5	13.5					10
RP540014	14	23.5		30.5						10
RP540015	15	26.5		33						10
RP540016	16	26.5		33						10

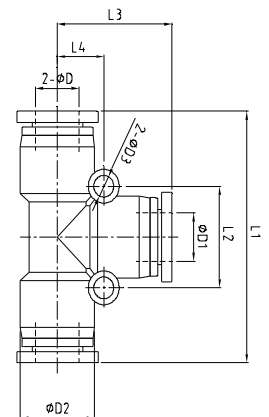


## RP 55



**T intermedio**  
T intermediate  
T-Verbinder

Codice/Code	ØD	ØD1	ØD2	ØD3	L1	L2	L3	L4		
RP550004	4	4	11.5	3.2	38	14	19	7		10
RP550006	6	6	13.5	3.2	39	16	19.2	8		10
RP550008	8	8	15	3.2	45	18	22.5	9		10
RP550010	10	10	19	4.2	57	24	27.8	12		10
RP550012	12	12	21.5	4.3	59	27	29.5	13.5		10
RP550014	14	14	23.5		54		30			10
RP550015	15	15	26.5		66		33			10
RP550016	16	16	26.5		66		33			10
RP550604	6	4	13.5	3.2	39	16	19.2	8		10
RP550804	8	4	15	3.2	45	18	22.5	9		10
RP550806	8	6	15	3.2	45	18	22.5	9		10
RP551006	10	6	19	4.2	57	24	26.3	12		10
RP551008	10	8	19	4.2	57	24	26.8	12		10
RP551208	12	8	21.5	4.3	59	27	28.5	13.5		10
RP551210	12	10	21.5	4.3	59	27	29.5	13.5		10



## Raccordi ad innesto rapido in polimero

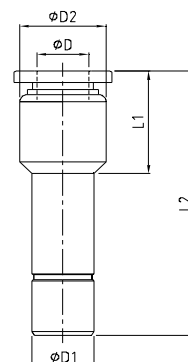
Plastic push-in fittings  
Steckverschraubungen Kunststoff

### RP 58



**Adattatore riduzione-maggiorazione**  
Reducer-increaser plug-in  
Reduzier Stecker

Codice/Code	ØD	ØD1	ØD2	L1	L2				
RP580604	4	6	10	16	35				10
RP580804	4	8	10	13	34				10
RP580806	6	8	12	15.5	36				10
RP581006	6	10	12	16.8	41				10
RP581008	8	10	14	17.5	42				10
RP581206	6	12	13.5	13.5	38.5				10
RP581208	8	12	14	17.5	42.5				10
RP581210	10	12	17	21	46				10

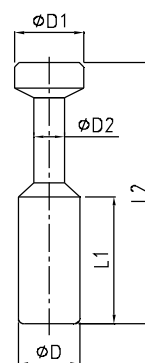


### RP 59



**Tappo maschio**  
Male plug-in  
Verschluss Stecker

Codice/Code	ØD	ØD1	ØD2	L1	L2				
RP590004	4	5	3	15	28				10
RP590006	6	7	3	17	33				10
RP590008	8	9	4	18	37				10
RP590010	10	11	5	20.5	42				10
RP590012	12	13	6	23	44				10

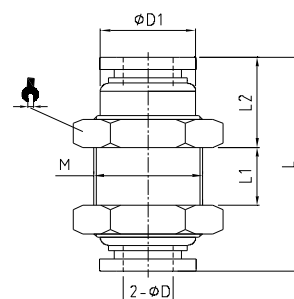


### RP 60



**Passalamiera**  
Union bulkhead  
Schottverschraubung

Codice/Code	ØD	ØD1	M	L	L1	L2			
RP600004	4	10	M12X1	30.5	9.5	10			10
RP600006	6	12	M14X1	31	7.5	10.6			10
RP600008	8	14	M16X1	34.5	6.5	12			10
RP600010	10	17	M20X1	41.5	11.5	12			10
RP600012	12	20	M22X1	44.5	12.5	13.5			10

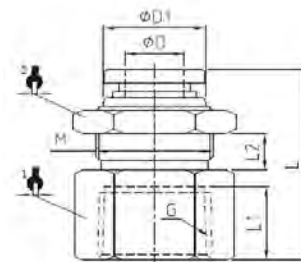


### RP 61



**Passalamiera femmina**  
Female union bulkhead  
Schottverschraubung Innengewinde

Codice/Code	ØD	G"	L	L1	L2	ØD1			M	
RP611804	4	G1/8	23.5	8.5	5	10	14	14	M12X1	10
RP611404	4	G1/4	26	11	5	10	17	14	M12X1	10
RP611806	6	G1/8	24.8	8.5	7	12	17	17	M14X1	10
RP611406	6	G1/4	29.5	11	7	12	17	17	M14X1	10
RP613806	6	G3/8	30.5	12	7	12	21	17	M14X1	10
RP611206	6	G1/2	33	14	7	12	24	17	M14X1	10
RP611808	8	G1/8	26.5	8.5	9	14	19	19	M16X1	10
RP611408	8	G1/4	32	11	9	14	19	19	M16X1	10
RP613808	8	G3/8	34.3	12	9	14	21	19	M16X1	10
RP611208	8	G1/2	36.5	14	9	14	24	19	M16X1	10
RP611810	10	G1/8	30	8.5	9	17	24	24	M20X1	10
RP611410	10	G1/4	32.5	11	9	17	24	24	M20X1	10
RP613810	10	G3/8	34	12	9	17	24	24	M20X1	10
RP611210	10	G1/2	38	14	9	17	24	24	M20X1	10
RP611412	12	G1/4	34	11	9	20	24	26	M22X1	10
RP613812	12	G3/8	35	12	9	20	24	26	M22X1	10
RP611212	12	G1/2	37	14	9	20	24	26	M22X1	10

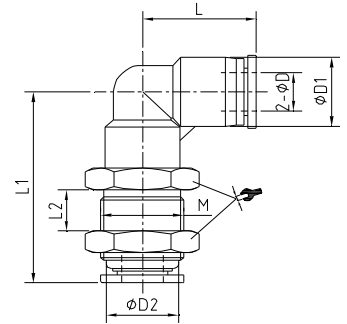


## RP 62



**Passalamiera gomito**  
Elbow union bulkhead  
Winkel Schottverschraubung

Codice/Code	ØD	ØD1	ØD2	L	L1	L2	M	⚡	🔥
RP620004	4	11.5	10	19	31	6	M12X1	14	10
RP620006	6	13.5	12	19.2	34.5	7	M14X1	17	10
RP620008	8	15	14	22.5	41	7.5	M16X1	19	10
RP620010	10	19	17	28.5	47	9.5	M20X1	24	10
RP620012	12	21.5	20	29.5	49	10	M22X1	26	10

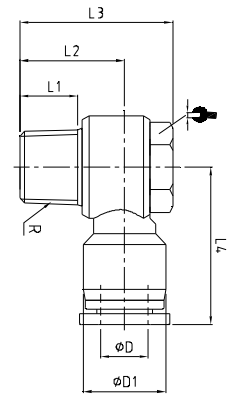


## RP 65K



**Gomito maschio conico BSPT**  
Elbow male taper BSPT  
Winkelverschraubung Drehbar konisches Gewinde

Codice/Code	ØD	R"	L1	L2	L3	L4	ØD1	⚡	🔥
RP65K1804	4	R1/8	7.5	15	23	23.5	11.5	12	10
RP65K1404	4	R1/4	9.5	16.8	26.3	25.5	11.5	14	10
RP65K1806	6	R1/8	7.5	15	23	23.5	13.5	12	10
RP65K1406	6	R1/4	9.5	16.2	26.3	25.4	13.5	14	10
RP65K3806	6	R3/8	10.5	19	31.9	29.5	13.5	19	10
RP65K1206	6	R1/2	13.5	24	38.6	32.5	14.5	24	10
RP65K1808	8	R1/8	7.5	15.7	23	26.5	15	12	10
RP65K1408	8	R1/4	9.5	17.5	26.3	28.9	15	14	10
RP65K3808	8	R3/8	10.5	19	31.9	29.8	15	19	10
RP65K1208	8	R1/2	13.5	24	38.6	32.5	15	24	10
RP65K1810	10	R1/8	7.5	18	23	30.5	19	12	10
RP65K1410	10	R1/4	9.5	19.5	26.3	32.6	19	14	10
RP65K3810	10	R3/8	10.5	21	31.9	33	19	19	10
RP65K1210	10	R1/2	13.5	24.2	38.6	36	19	24	10
RP65K1412	12	R1/4	9.5	20.8	26.3	33.5	21.5	14	10
RP65K3812	12	R3/8	10.5	22.2	31.9	35.5	21.5	19	10
RP65K1212	12	R1/2	13.5	25.5	38.6	36.5	21.5	24	10

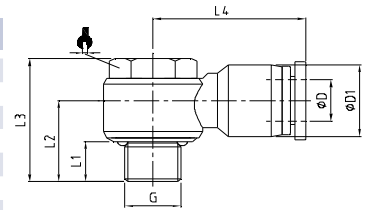


## RP 65



**Gomito maschio cilindrico BSPP-metrico**  
Elbow male parallel BSPP-metric  
Winkelverschraubung Drehbar zylindrisches Gewinde

Codice/Code	ØD	G"	L1	L2	L3	L4	ØD1	⚡	🔥
RP65M504	4	M5	3.5	10.7	17.3	20.5	11.5	8	10
RP651804	4	G1/8	5.5	14.5	23	23.5	11.5	12	10
RP651404	4	G1/4	7.5	17.3	26.3	25.5	11.5	14	10
RP65M506	6	M5	3.5	11.7	17.3	22	13.5	8	10
RP651806	6	G1/8	5.5	14.5	23	23.5	13.5	12	10
RP651406	6	G1/4	7.5	16.7	26.3	25.4	13.5	14	10
RP653806	6	G3/8	7.5	19	32	29.5	13.5	19	10
RP651206	6	G1/2	10	24.5	39	32.5	13.5	24	10
RP651808	8	G1/8	5.5	15.2	23	26.5	15	12	10
RP651408	8	G1/4	7.5	18	26.3	28.9	15	14	10
RP653808	8	G3/8	7.5	19	32	29.8	15	19	10
RP651208	8	G1/2	10	24.5	39	32.5	15	24	10
RP651810	10	G1/8	5.5	17.2	23	30.5	19	12	10
RP651410	10	G1/4	7.5	20	26.3	32.6	19	14	10
RP653810	10	G3/8	7.5	21	32	33	19	19	10
RP651210	10	G1/2	10	24.7	39	36	19	24	10
RP651412	12	G1/4	7.5	21.3	26.3	33.5	21.5	14	10
RP653812	12	G3/8	7.5	22.2	32	35.5	21.5	19	10
RP651212	12	G1/2	10	26	39	36.5	21.5	24	10



## Raccordi ad innesto rapido in polimero

### Plastic push-in fittings

### Steckverschraubungen Kunststoff

#### RP 65F

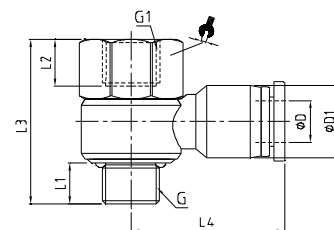


#### Gomito maschio-femmina cilindrico BSPP-metrico

Elbow male-female parallel BSPP-metric

Winkelverschraubung Außen/Innengewinde zylindrisches Gewinde

Codice/Code	ØD	G"	G1"	L1	L2	L3	L4	ØD1	⚡	🔥
RP65FM504	4	M5	M5	3.5	5.5	20	20.5	11.5	8	10
RP65F1804	4	G1/8	G1/8	5.5	8.5	29	23.5	11.5	14	10
RP65F1404	4	G1/4	G1/4	7.5	11	35	25.5	11.5	17	10
RP65FM506	6	M5	M5	3.5	5.5	20	22	13.5	8	10
RP65F1806	6	G1/8	G1/8	5.5	8.5	29	23.5	13.5	14	10
RP65F1406	6	G1/4	G1/4	7.5	11	35	25.4	13.5	17	10
RP65F3806	6	G3/8	G3/8	7.5	12	41	29.5	13.5	21	10
RP65F1808	8	G1/8	G1/8	5.5	8.5	29	26.5	15	14	10
RP65F1408	8	G1/4	G1/4	7.5	11	35	28.9	15	17	10
RP65F3808	8	G3/8	G3/8	7.5	12	41	29.8	15	21	10
RP65F1208	8	G1/2	G1/2	10	14	47.5	32.5	15	24	10
RP65F1810	10	G1/8	G1/8	5.5	8.5	32	30.3	19	14	10
RP65F1410	10	G1/4	G1/4	7.5	11	36	32.6	19	17	10
RP65F3810	10	G3/8	G3/8	7.5	12	41	33	19	21	10
RP65F1210	10	G1/2	G1/2	10	14	47.5	36	19	24	10
RP65F1412	12	G1/4	G1/4	7.5	11	36	33.5	21.5	17	10
RP65F3812	12	G3/8	G3/8	7.5	12	41	35.5	21.5	21	10
RP65F1212	12	G1/2	G1/2	10	14	47.5	36.5	21.5	24	10



#### RP 66K

new

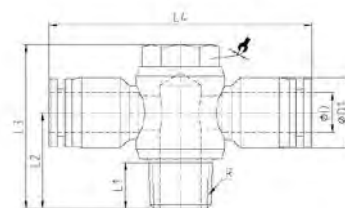


#### T banjo girevole conico BSPT

T banjo (rotating body) taper BSPT

Winkelverschraubung Drehbar, konisches Gewinde

Codice/Code	ØD	R"	L1	L2	L3	L4	ØD1	⚡	🔥
RP66K1804	4	R1/8	7.5	16	27.5	47	13.3	12	10
RP66K1806	6	R1/8	7.5	16	27.5	47	13.3	12	10
RP66K1406	6	R1/4	9.5	19.5	33.5	54	14.8	14	10
RP66K1808	8	R1/8	7.5	16	27.5	51	14.8	12	10
RP66K1408	8	R1/4	9.5	19.5	33.5	54	14.8	14	10
RP66K1410	10	R1/4	9.5	19.5	33.5	63	18.7	14	10



#### RP 66

new

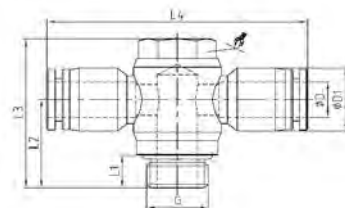


#### T banjo girevole cilindrico BSPP-metrico

T banjo (rotating body) parallel BSPP-metric

Winkelverschraubung Drehbar, zylindrisches Gewinde

Codice/Code	ØD	G"	L1	L2	L3	L4	ØD1	⚡	🔥
RP661804	4	G1/8	5.5	15.5	27	47	13.3	12	10
RP661806	6	G1/8	5.5	15.5	27	47	13.3	12	10
RP661406	6	G1/4	7.5	20.5	34.5	54	14.8	14	10
RP661808	8	G1/8	5.5	15.5	27	51	14.8	12	10
RP661408	8	G1/4	7.5	20.5	34.5	54	14.8	14	10
RP661410	10	G1/4	7.5	20.5	34.5	63	18.7	14	10



### RP 70K

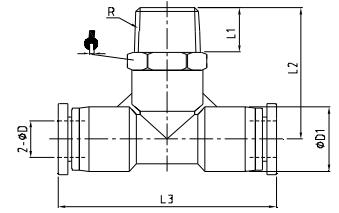


#### T al centro girevole conico BSPT

Central T male (rotating body) taper BSPT

T-Einschraubverschraubung Drehbar konisches Gewinde

Codice/Code	ØD	R"	L1	L2	L3	ØD1			
RP70K1804	4	R1/8	7.5	23.8	38	11.5	10		10
RP70K1404	4	R1/4	9.5	26.8	38	11.5	14		10
RP70K3804	4	R3/8	10.5	28.3	38	11.5	17		10
RP70K1806	6	R1/8	7.5	24.2	39	13.5	12		10
RP70K1406	6	R1/4	9.5	26.7	39	13.5	14		10
RP70K3806	6	R3/8	10.5	28.2	39	13.5	17		10
RP70K1206	6	R1/2	13.5	31.7	39	13.5	21		10
RP70K1808	8	R1/8	7.5	27.5	45	15	14		10
RP70K1408	8	R1/4	9.5	29.5	45	15	14		10
RP70K3808	8	R3/8	10.5	31	45	15	17		10
RP70K1208	8	R1/2	13.5	34.5	45	15	21		10
RP70K1810	10	R1/8	7.5	32.8	57	19	17		10
RP70K1410	10	R1/4	9.5	34.8	57	19	17		10
RP70K3810	10	R3/8	10.5	35.8	57	19	17		10
RP70K1210	10	R1/2	13.5	39.3	57	19	21		10
RP70K1412	12	R1/4	9.5	36	59	21.5	21		10
RP70K3812	12	R3/8	10.5	37	59	21.5	21		10
RP70K1212	12	R1/2	13.5	40	59	21.5	21		10
RP70K3814	14	R3/8	10.5	41	54	23.5	22		10
RP70K1214	14	R1/2	13.5	44	54	23.5	22		10
RP70K3816	16	R3/8	10.5	44	66	26.5	24		10
RP70K1216	16	R1/2	13.5	47	66	26.5	24		10



### RP 70

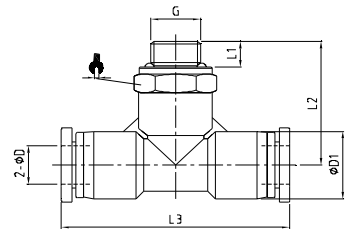


#### T al centro maschio girevole cilindrico BSPP-metrico

Central T male (rotating body) parallel BSPP-metric

T-Einschraubverschraubung Drehbar zylindrisches Gewinde

Codice/Code	ØD	G"	L1	L2	L3	ØD1			
RP70M504	4	M5	3.5	21.3	38	11.5	10		10
RP70M604	4	M6	4	21.8	38	11.5	10		10
RP701804	4	G1/8	5.5	24.3	38	11.5	14		10
RP701404	4	G1/4	7.5	26.8	38	11.5	17		10
RP703804	4	G3/8	7.5	27.3	38	1.5	20		10
RP70M506	6	M5	3.5	21.7	39	13.5	12		10
RP70M606	6	M6	4	22.2	39	13.5	12		10
RP701806	6	G1/8	5.5	24.2	39	13.5	14		10
RP701406	6	G1/4	7.5	26.7	39	13.5	17		10
RP703806	6	G3/8	7.5	27.2	39	13.5	20		10
RP701206	6	G1/2	10	29.7	39	13.5	24		10
RP701808	8	G1/8	5.5	27	45	15	14		10
RP701408	8	G1/4	7.5	29.5	45	15	17		10
RP703808	8	G3/8	7.5	30	45	15	20		10
RP701208	8	G1/2	10	32.5	45	15	24		10
RP701810	10	G1/8	5.5	32.3	57	19	17		10
RP701410	10	G1/4	7.5	34.8	57	19	17		10
RP703810	10	G3/8	7.5	34.8	57	19	20		10
RP701210	10	G1/2	10	38.3	57	19	24		10
RP701412	12	G1/4	7.5	36	59	21.5	21		10
RP703812	12	G3/8	7.5	36	59	21.5	21		10
RP701212	12	G1/2	10	39	59	21.5	24		10
RP703814	14	G3/8	7.5	39.5	54	23.5	22		10
RP701214	14	G1/2	10	43	54	23.5	24		10
RP703816	16	G3/8	7.5	42.5	66	26.5	24		10
RP701216	16	G1/2	10	44.5	66	26.5	24		10





# Raccordi ad innesto rapido in polimero

## Plastic push-in fittings

## Steckverschraubungen Kunststoff

### RP 71K

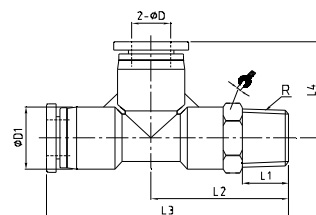


#### T laterale girevole conico BSPT

Lateral T male (rotating body) taper BSPT

T-Verschraubung Drehbar, konisches Gewinde

Codice/Code	ØD	R"	L1	L2	L3	L4	ØD1		
RP71K1804	4	R1/8	7.5	23.8	42.8	19	11.5	10	10
RP71K1404	4	R1/4	9.5	26.8	45.8	19	11.5	14	10
RP71K3804	4	R3/8	10.5	28.3	47.3	19	11.5	17	10
RP71K1806	6	R1/8	7.5	24.2	43.4	19.2	13.5	12	10
RP71K1406	6	R1/4	9.5	26.7	46	19.2	13.5	14	10
RP71K3806	6	R3/8	10.5	28.2	47.5	19.2	13.5	17	10
RP71K1206	6	R1/2	13.5	31.7	51	19.2	13.5	21	10
RP71K1808	8	R1/8	7.5	27.5	50	22.5	15	14	10
RP71K1408	8	R1/4	9.5	29.5	52	22.5	15	14	10
RP71K3808	8	R3/8	10.5	31	53.5	22.5	15	17	10
RP71K1208	8	R1/2	13.5	34.5	57	22.5	15	21	10
RP71K1810	10	R1/8	7.5	33	61.5	27.8	19	17	10
RP71K1410	10	R1/4	9.5	35	63.5	27.8	19	17	10
RP71K3810	10	R3/8	10.5	36	64.5	27.8	19	17	10
RP71K1210	10	R1/2	13.5	39.5	68	27.8	19	21	10
RP71K1412	12	R1/4	9.5	36	65.5	29.5	21.5	21	10
RP71K3812	12	R3/8	10.5	37	66.5	29.5	21.5	21	10
RP71K1212	12	R1/2	13.5	40	69.5	29.5	21.5	21	10



### RP 71

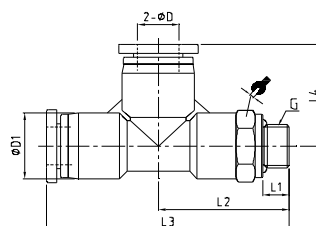


#### T laterale maschio girevole cilindrico BSPP-metrico

Lateral T male (rotating body) parallel BSPP-metric

T-Verschraubung Drehbar, zylindrisches Gewinde

Codice/Code	ØD	G"	L1	L2	L3	L4	ØD1		
RP71M504	4	M5	3.5	21.3	40.3	19	11.5	10	10
RP71M604	4	M6	4	21.8	40.8	19	11.5	10	10
RP711804	4	G1/8	5.5	24.3	43.3	19	11.5	14	10
RP711404	4	G1/4	7.5	26.8	45.8	19	11.5	17	10
RP71M506	6	M5	3.5	21.7	40.9	19.2	13.5	12	10
RP71M606	6	M6	4	22.2	41.4	19.2	13.5	12	10
RP711806	6	G1/8	5.5	24.2	43.4	19.2	13.5	14	10
RP711406	6	G1/4	7.5	26.7	46	19.2	13.5	17	10
RP713806	6	G3/8	7.5	27.2	46.5	19.2	13.5	20	10
RP711206	6	G1/2	10	29.7	49	19.2	13.5	24	10
RP711808	8	G1/8	5.5	27	49.5	22.5	15	14	10
RP711408	8	G1/4	7.5	29.5	52	22.5	15	17	10
RP713808	8	G3/8	7.5	30	52.5	22.5	15	20	10
RP711208	8	G1/2	10	32.5	55	22.5	15	24	10
RP711810	10	G1/8	5.5	32.5	61	27.8	19	17	10
RP711410	10	G1/4	7.5	35	63.5	27.8	19	17	10
RP713810	10	G3/8	7.5	35	63.5	27.8	19	20	10
RP711210	10	G1/2	10	38.5	67	27.8	19	24	10
RP711412	12	G1/4	7.5	36	65.5	29.5	21.5	21	10
RP713812	12	G3/8	7.5	36	65.5	29.5	21.5	21	10
RP711212	12	G1/2	10	39	68.5	29.5	21.5	24	10



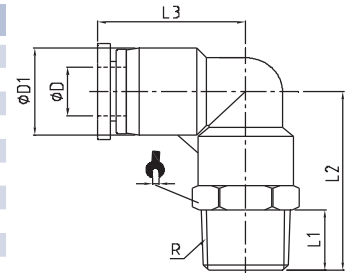
## RP 72K



### Gomito maschio girevole conico BSPT

Elbow male (rotating body) taper BSPT  
Winkelverschraubung Drehbar, konisches Gewinde

Codice/Code	ØD	R"	L1	L2	L3	ØD1			
RP72K1804	4	R1/8	7.5	20.5	19	11.5	10		10
RP72K1404	4	R1/4	9.5	20	19	11.5	14		10
RP72K3804	4	R3/8	10.5	21	19	11.5	17		10
RP72K1806	6	R1/8	7.5	21.5	19.2	13.5	10		10
RP72K1406	6	R1/4	9.5	21	19.2	13.5	14		10
RP72K3806	6	R3/8	10.5	22	19.2	13.5	17		10
RP72K1206	6	R1/2	13.5	25.5	19.2	13.5	21		10
RP72K1808	8	R1/8	7.5	22.2	22.5	15	12		10
RP72K1408	8	R1/4	9.5	21.7	22.5	15	14		10
RP72K3808	8	R3/8	10.5	22.7	22.5	15	17		10
RP72K1208	8	R1/2	13.5	26.2	22.5	15	21		10
RP72K1810	10	R1/8	7.5	26.9	27.8	19	14		10
RP72K1410	10	R1/4	9.5	28.4	27.8	19	14		10
RP72K3810	10	R3/8	10.5	24.7	27.8	19	17		10
RP72K1210	10	R1/2	13.5	28.2	27.8	19	21		10
RP72K1812	12	R1/8	7.5	28.2	29.5	21.5	15		10
RP72K1412	12	R1/4	9.5	29.7	29.5	21.5	15		10
RP72K3812	12	R3/8	10.5	26	29.5	21.5	17		10
RP72K1212	12	R1/2	13.5	29.5	29.5	21.5	21		10
RP72K3814	14	R3/8	10.5	40.5	30.5	23.5	22		10
RP72K1214	14	R3/8	10	42.5	30.5	23.5	22		10
RP72K1215	15	R1/2	13.5	43.5	33	26.5	24		10
RP72K3816	16	R3/8	10.5	44	33	26.5	24		10
RP72K1216	16	R1/2	13.5	47	33	26.5	24		10



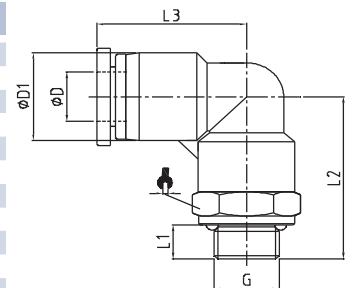
## RP 72



### Gomito maschio girevole cilindrico BSPP-metrico

Elbow male (rotating body) parallel BSPP-metric  
Winkelverschraubung Drehbar, zylindrisches Gewinde

Codice/Code	ØD	G"	L1	L2	L3	ØD1			
RP72M504	4	M5	3.5	20	19	11.5	10		10
RP72M604	4	M6	4	20.5	19	11.5	10		10
RP721804	4	G1/8	5.5	22	19	11.5	14		10
RP721404	4	G1/4	7.5	19.5	19	11.5	17		10
RP723804	4	G3/8	7.5	20	19	11.5	20		10
RP72M506	6	M5	3.5	21	19.2	13.5	10		10
RP72M606	6	M6	4	21.5	19.2	13.5	10		10
RP721806	6	G1/8	5.5	23	19.2	13.5	14		10
RP721406	6	G1/4	7.5	20.5	19.2	13.5	17		10
RP723806	6	G3/8	7.5	21	19.2	13.5	20		10
RP721206	6	G1/2	10	23.5	19.2	13.5	24		10
RP721808	8	G1/8	5.5	23.7	22.5	15	14		10
RP721408	8	G1/4	7.5	21.2	22.5	15	17		10
RP723808	8	G3/8	7.5	21.7	22.5	15	20		10
RP721208	8	G1/2	10	24.2	22.5	15	24		10
RP721810	10	G1/8	5.5	26	27.8	19	14		10
RP721410	10	G1/4	7.5	28	27.8	19	17		10
RP723810	10	G3/8	7.5	23.7	27.8	19	20		10
RP721210	10	G1/2	10	26.2	27.8	19	24		10
RP721812	12	G1/8	5.5	27.2	29.5	21.5	15		10
RP721412	12	G1/4	7.5	29.2	29.5	21.5	17		10
RP723812	12	G3/8	7.5	25	29.5	21.5	20		10
RP721212	12	G1/2	10	27.5	29.5	21.5	24		10
RP723814	14	G3/8	7.5	39	30.5	23.5	22		10
RP721214	14	G1/2	10	42.5	30.5	23.5	24		10
RP723815	15	G3/8	7.5	42.5	33	26.5	24		10
RP721215	15	G1/2	10	44.5	33	26.5	24		10
RP721216	16	G1/2	10	44.5	33	26.5	24		10



# Raccordi ad innesto rapido in polimero

## Plastic push-in fittings

## Steckverschraubungen Kunststoff

### RP 72KP

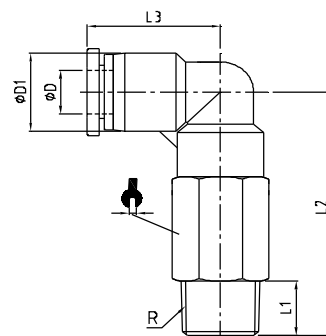


#### Gomito maschio girevole lungo conico BSPT

Elbow male (rotating body) taper BSPT

Winkelverschraubung Lang Drehbar Kunststoff konisches Gewinde

Codice/Code	ØD	R"	L1	L2	L3	ØD1	↻	■
RP72KP1804	4	R1/8	7.5	35.8	19	11.5	10	10
RP72KP1404	4	R1/4	9.5	38.8	19	11.5	14	10
RP72KP1806	6	R1/8	7.5	38.2	19.2	13.5	12	10
RP72KP1406	6	R1/4	9.5	40.7	19.2	13.5	14	10
RP72KP3806	6	R3/8	10.5	42.2	19.2	13.5	17	10
RP72KP1206	6	R1/2	13.5	45.7	19.2	13.5	21	10
RP72KP1808	8	R1/8	7.5	42.8	22.5	15	14	10
RP72KP1408	8	R1/4	9.5	44.8	22.5	15	14	10
RP72KP3808	8	R3/8	10.5	46.4	22.5	15	17	10
RP72KP1208	8	R1/2	13.5	48.8	22.5	15	21	10
RP72KP1810	10	R1/8	7.5	52.3	27.8	19	17	10
RP72KP1410	10	R1/4	9.5	54.3	27.8	19	17	10
RP72KP3810	10	R3/8	10.5	55.3	27.8	19	17	10
RP72KP1210	10	R1/2	13.5	58.8	27.8	19	21	10
RP72KP1812	12	R1/8	7.5	57	29.5	21.5	21	10
RP72KP1412	12	R1/4	9.5	59	29.5	21.5	21	10
RP72KP3812	12	R3/8	10.5	60	29.5	21.5	21	10
RP72KP1212	12	R1/2	13.5	63	29.5	21.5	21	10



### RP 72P

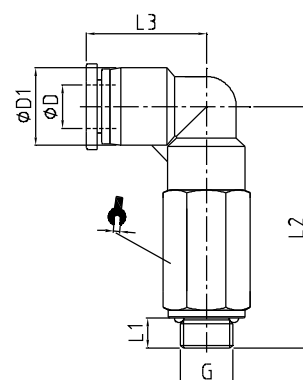


#### Gomito maschio girevole lungo cilindrico BSPP-metrico

Elbow male (rotating body) parallel BSPP-metric

Winkelverschraubung Lang Drehbar zylindrisches Gewinde

Codice/Code	ØD	G"	L1	L2	L3	ØD1	↻	■
RP72PM504	4	M5	3.5	33.3	19	11.5	10	10
RP72PM604	4	M6	4	33.8	19	11.5	10	10
RP72P1804	4	G1/8	5.5	36.3	19	11.5	14	10
RP72P1404	4	G1/4	7.5	38.3	19	11.5	17	10
RP72PM506	6	M5	3.5	35	19.2	13.5	12	10
RP72PM606	6	M6	4	35.5	19.2	13.5	12	10
RP72P1806	6	G1/8	5.5	37.7	19.2	13.5	14	10
RP72P1406	6	G1/4	7.5	40.2	19.2	13.5	17	10
RP72P3806	6	G3/8	7.5	41.7	19.2	13.5	20	10
RP72P1206	6	G1/2	10	45.7	19.2	13.5	24	10
RP72P1808	8	G1/8	5.5	42.3	22.5	15	14	10
RP72P1408	8	G1/4	7.5	44.3	22.5	15	17	10
RP72P3808	8	G3/8	7.5	46	22.5	15	20	10
RP72P1208	8	G1/2	10	48.3	22.5	15	24	10
RP72P1810	10	G1/8	5.5	53.8	27.8	19	17	10
RP72P1410	10	G1/4	7.5	54.3	27.8	19	17	10
RP72P3810	10	G3/8	7.5	54.3	27.8	19	20	10
RP72P1210	10	G1/2	10	57.8	27.8	19	24	10
RP72P1812	12	G1/8	5.5	56.5	29.5	21.5	21	10
RP72P1412	12	G1/4	7.5	59	29.5	21.5	21	10
RP72P3812	12	G3/8	7.5	59.5	29.5	21.5	21	10
RP72P1212	12	G1/2	10	62.5	29.5	21.5	24	10



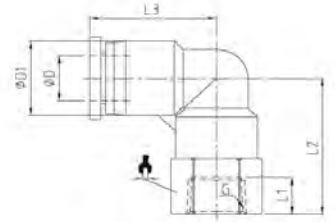
## RP 72F



### Gomito femmina girevole cilindrico BSPP-metrico

Elbow female (rotating body) parallel BSPP-metric  
Winkelverschraubung Innengewinde, zylindrisches Gewinde

Codice/Code	ØD	G"	L1	L2	L3	ØD1			
RP72FM504	4	M5	5.5	19.5	19	11.5	10		10
RP72FM604	4	M6	6	20	19	11.5	10		10
RP72F1804	4	G1/8	8.5	23.3	19	11.5	14		10
RP72F1404	4	G1/4	11	25.8	19	11.5	17		10
RP72FM506	6	M5	5.5	19.2	19.2	13.5	12		10
RP72FM606	6	M6	6	19.7	19.2	13.5	12		10
RP72F1806	6	G1/8	8.5	22.7	19.2	13.5	14		10
RP72F1406	6	G1/4	11	25.7	19.2	13.5	17		10
RP72F3806	6	G3/8	12	27.2	19.2	13.5	21		10
RP72F1808	8	G1/8	8.5	25	22.5	15	14		10
RP72F1408	8	G1/4	11	28.5	22.5	15	17		10
RP72F3808	8	G3/8	12	30	22.5	15	21		10
RP72F1208	8	G1/2	14	34	22.5	15	24		10
RP72F1810	10	G1/8	8.5	27	27.8	19	17		10
RP72F1410	10	G1/4	11	32.3	27.8	19	17		10
RP72F3810	10	G3/8	12	33.8	27.8	19	21		10
RP72F1210	10	G1/2	14	36.8	27.8	19	24		10
RP72F1412	12	G1/4	11	34.5	29.5	21.5	21		10
RP72F3812	12	G3/8	12	35.5	29.5	21.5	21		10
RP72F1212	12	G1/2	14	38	29.5	21.5	24		10



## RP 45K

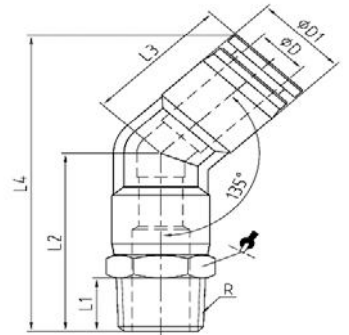
new



### Gomito maschio 45° girevole conico BSPT

Elbow male 45° (rotating body) taper BSPT  
Winkelverschraubung 45° Drehbar konisches Gewinde

Codice/Code	ØD	R"	L1	L2	L3	L4	ØD1		
RP45K1806	6	R1/8	7.5	25.5	19.2	43.5	13.3	12	10
RP45K1406	6	R1/4	9.5	28	19.2	46	13.3	14	10
RP45K3806	6	R3/8	10.5	29.5	19.2	47.5	13.3	17	10
RP45K1808	8	R1/8	7.5	29.5	22.5	50	14.8	14	10
RP45K1408	8	R1/4	9.5	31.5	22.5	52	14.8	14	10
RP45K3808	8	R3/8	10.5	33	22.5	53.5	14.8	17	10
RP45K1208	8	R1/2	13.5	36.5	22.5	57	14.8	21	10



## RP 45

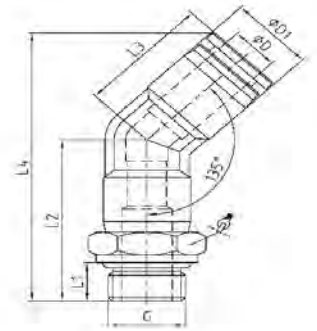
new



### Gomito maschio 45° girevole cilindrico BSPP-metrico

Elbow male 45° (rotating body) parallel BSPP-metric  
Winkelverschraubung 45° Drehbar zylindrisches Gewinde

Codice/Code	ØD	G"	L1	L2	L3	L4	ØD1		
RP45M506	6	M5	3.5	22.5	19.2	40.5	13.3	12	10
RP45M606	6	M6	4	23.5	19.2	41.5	13.3	12	10
RP451806	6	G1/8	5.5	25.5	19.2	43.5	13.3	14	10
RP451406	6	G1/4	7.5	28	19.2	46	13.3	17	10
RP453806	6	G3/8	7.5	28.5	19.2	46.5	13.3	20	10
RP451808	8	G1/8	5.5	29	22.5	49.5	14.8	14	10
RP451408	8	G1/4	7.5	31.5	22.5	52	14.8	17	10
RP453808	8	G3/8	7.5	32	22.5	52.5	14.8	20	10
RP451208	8	G1/2	10	34.5	22.5	55	14.8	24	10



## Raccordi ad innesto rapido in polimero

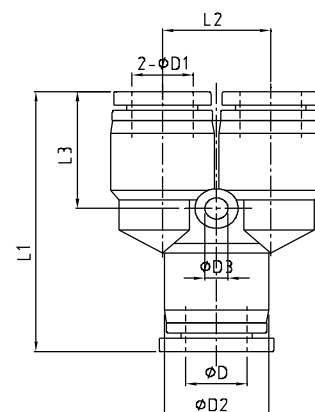
Plastic push-in fittings  
Steckverschraubungen Kunststoff

### RP 73



**Y innestabile**  
Y connector  
Y-Verteiler

Codice/Code	ØD	ØD1	ØD2	ØD3	L1	L2	L3		
RP730004	4	4	11.5	3.2	36.5	11	14.5		10
RP730006	6	6	13.5	3.2	37.5	13	15		10
RP730008	8	8	15	3.2	39.8	15	18		10
RP730010	10	10	19	4.2	50	18	21		10
RP730012	12	12	21.5	4.2	53	21	21.5		10
RP730604	6	4	13.5	3.2	37.5	13	15		10
RP730804	8	4	15	3.2	39.8	15	18		10
RP730806	8	6	15	3.2	39.8	15	18		10
RP731006	10	6	19	4.2	39.8	18	21		10
RP731008	10	8	19	4.2	50	18	21		10
RP731208	12	8	21.5	4.2	53	21	21.5		10
RP731210	12	10	21.5	4.2	53	21	21.5		10

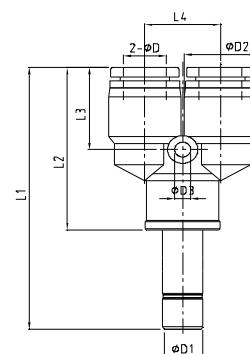


### RP 91



**Y pari con codolo**  
Y with plug-in  
Y-Verteiler

Codice/Code	ØD	ØD1	ØD2	ØD3	L1	L2	L3	L4	
RP910004	4	4	11.5	3.2	52.5	33.5	14.5	11	10
RP910006	6	6	13.5	3.2	53.8	34.8	15	13	10
RP910008	8	8	15	3.2	57.8	37.3	18	15	10
RP910010	10	10	19	4.2	71	46.5	21	18	10
RP910012	12	12	21.5	4.2	75.5	49.5	21.5	21	10
RP910604	4	6	11.5	3.2	52.8	33.8	14.5	11	10
RP910806	6	8	13.5	3.2	55.5	35	15	13	10
RP911008	8	10	15	3.2	62	37.3	18	15	10
RP911210	10	12	19	4.2	72.5	46.5	21	18	10

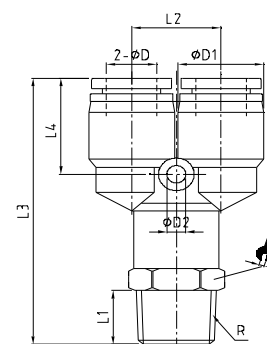


### RP 74K



**Y maschio girevole conico BSPT**  
Y male (rotating body) taper BSPT  
Y-Einschraubverschraubung Drehbar konisches Gewinde

Codice/Code	ØD	R"	L1	L2	L3	L4	ØD1	ØD2		
RP74K1804	4	R1/8	7.5	11	42.5	14.5	11.5	3.2	10	10
RP74K1404	4	R1/4	9.5	11	45.5	14.5	11.5	3.2	14	10
RP74K3804	4	R3/8	10.5	11	47	14.5	11.5	3.2	17	10
RP74K1806	6	R1/8	7.5	13	44	15	13.5	3.2	12	10
RP74K1406	6	R1/4	9.5	13	46.5	15	13.5	3.2	14	10
RP74K3806	6	R3/8	10.5	13	48	15	13.5	3.2	17	10
RP74K1206	6	R1/2	13.5	13	51	15	13.5	3.2	21	10
RP74K1808	8	R1/8	7.5	15	46.5	18	15	3.2	14	10
RP74K1408	8	R1/4	9.5	15	48.5	18	15	3.2	14	10
RP74K3808	8	R3/8	10.5	15	50	18	15	3.2	17	10
RP74K1208	8	R1/2	13.5	15	53.5	18	15	3.2	21	10
RP74K1810	10	R1/8	7.5	18	56.5	21	19	4.2	17	10
RP74K1410	10	R1/4	9.5	18	58.5	21	19	4.2	17	10
RP74K3810	10	R3/8	10.5	18	59.5	21	19	4.2	17	10
RP74K1210	10	R1/2	13.5	18	63	21	19	4.2	21	10
RP74K1812	12	R1/8	7.5	21	59.5	21.5	21.5	4.2	21	10
RP74K1412	12	R1/4	9.5	21	62	21.5	21.5	4.2	21	10
RP74K3812	12	R3/8	10.5	21	63	21.5	21.5	4.2	21	10
RP74K1212	12	R1/2	13.5	21	66	21.5	21.5	4.2	21	10



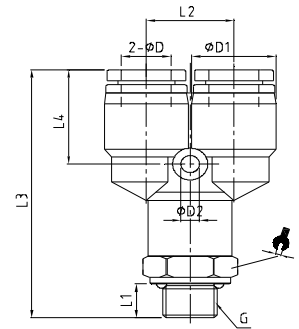
## RP 74



### Y maschio girevole cilindrico BSPP-metrico

Y male (rotating body) parallel BSPP-metric  
Y Einschraubverschraubung Drehbar, zylindrisches Gewinde

Code/Code	ØD	G"	L1	L2	L3	L4	ØD1	ØD2	🔧	📦
RP74M504	4	M5	3.5	11	40	14.5	11.5	3.2	10	10
RP74M604	4	M6	4	11	40.5	14.5	11.5	3.2	10	10
RP741804	4	G1/8	5.5	11	43	14.5	11.5	3.2	14	10
RP741404	4	G1/4	7.5	11	45.5	14.5	11.5	3.2	17	10
RP743804	4	G3/8	7.5	11	46	14.5	11.5	3.2	20	10
RP74M506	6	M5	3.5	13	41.5	15	13.5	3.2	12	10
RP74M606	6	M6	4	13	42	15	13.5	3.2	12	10
RP741806	6	G1/8	5.5	13	44	15	13.5	3.2	14	10
RP741406	6	G1/4	7.5	13	46.5	15	13.5	3.2	17	10
RP743806	6	G3/8	7.5	13	47	15	13.5	3.2	20	10
RP741206	6	G1/2	10	13	49.5	15	13.5	3.2	24	10
RP741808	8	G1/8	5.5	15	46.3	18	15	3.2	14	10
RP741408	8	G1/4	7.5	15	48.8	18	15	3.2	17	10
RP743808	8	G3/8	7.5	15	49.3	18	15	3.2	20	10
RP741208	8	G1/2	10	15	51.8	18	15	3.2	24	10
RP741810	10	G1/8	5.5	18	56	21	19	4.2	17	10
RP741410	10	G1/4	7.5	18	58.5	21	19	4.2	17	10
RP743810	10	G3/8	7.5	18	58.5	21	19	4.2	20	10
RP741210	10	G1/2	10	18	62	21	19	4.2	24	10
RP741812	12	G1/8	5.5	21	59.5	21.5	21.5	4.2	21	10
RP741412	12	G1/4	7.5	21	62	21.5	21.5	4.2	21	10
RP743812	12	G3/8	7.5	21	62	21.5	21.5	4.2	21	10
RP741212	12	G1/2	10	21	65	21.5	21.5	4.2	24	10



## RP 75

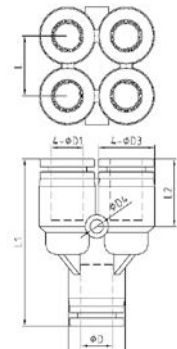
new



### Doppio Y riduzione

Double Y reducer  
Y 4 Ausgänge reduzierte Verteiler

Code/Code	ØD	ØD1	ØD2	ØD3	ØD4	L	L1	L2	📦
RP750604	6	4	13.3	11.3	3.2	11	36.5	15	10
RP750806	8	6	14.8	13.3	3.2	13	40	15.5	10



## RP 76

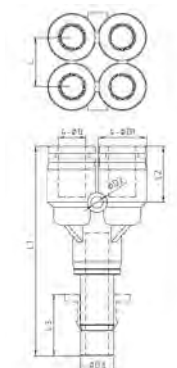
new



### Doppio Y riduzione con codolo

Double Y reducer with plug-in  
Y 4 Ausgänge Verteiler mit innenkonus

Code/Code	ØD3	ØD	ØD1	ØD2	L	L1	L2	L3	📦
PXJ06-04	6	4	11.3	3.2	11	53	15	13	10
PXJ08-06	8	6	13.3	3.2	13	58	15.5	14	10
PXJ10-08	10	8	14.8	3.2	15	63	16.5	18	10



## RP 77K

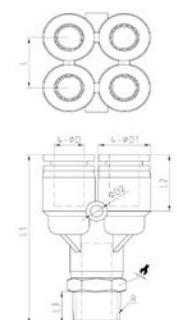
new



### Doppio Y maschio girevole conico BSPT

Double Y male (rotating body) taper BSPT  
Y 4 Ausgänge Einschraubverschraubung Drehbar konisches Gewinde

Code/Code	ØD	R"	L3	ØD1	ØD2	L	L1	L2	🔧	📦
RP77K1804	4	R1/8	7.5	11.3	3.2	11	43	15	12	10
RP77K1806	6	R1/8	7.5	13.3	3.2	13	47	15.5	14	10
RP77K1406	6	R1/4	9.5	13.3	3.2	13	49	15.5	14	10
RP77K1808	8	R1/8	7.5	14.8	3.2	15	48	16.5	14	10
RP77K1408	8	R1/4	9.5	14.8	3.2	15	50	16.5	14	10
RP77K3808	8	R3/8	10.5	14.8	3.2	15	51.5	16.5	17	10



## Raccordi ad innesto rapido in polimero

### Plastic push-in fittings

### Steckverschraubungen Kunststoff

RP **77**

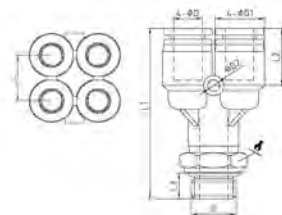
new



#### Doppio Y maschio girevole cilindrico BSPP-metrico

Double Y male (rotating body) parallel BSPP-metric  
Y 4 Einschraubverschraubung Drehbar zylindrisches Gewinde

Codice/Code	ØD	G"	L3	ØD1	ØD2	L	L1	L2	🔧	🗑️
RP771804	4	G1/8	5.5	11.3	3.2	11	43	15	14	10
RP771806	6	G1/8	5.5	13.3	3.2	13	46.5	15.5	14	10
RP771406	6	G1/4	7.5	13.3	3.2	13	49	15.5	17	10
RP771808	8	G1/8	5.5	14.8	3.2	15	47.5	16.5	14	10
RP771408	8	G1/4	7.5	14.8	3.2	15	50	16.5	17	10
RP773808	8	G3/8	7.5	14.8	3.2	15	50.5	16.5	20	10



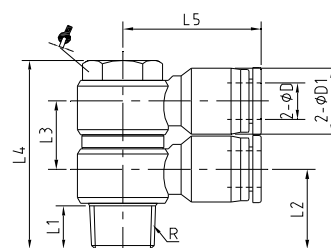
RP **83K**



#### Doppio L maschio girevole conico BSPT

Double L male (rotating body) taper BSPT  
Winkelschraubverschraubung 2-Fach Drehbar, konisches Gewinde

Codice/Code	ØD	R"	L1	L2	L3	L4	L5	ØD1	🔧	🗑️
RP83K1804	4	R1/8	7.5	14	15	38	23.5	11.5	12	10
RP83K1806	6	R1/8	7.5	14	15	38	23.5	13.5	12	10
RP83K1406	6	R1/4	9.5	16.5	15	41.5	25.4	13.5	14	10
RP83K3806	6	R3/8	10.5	18.5	15.7	49.5	29.5	13.5	19	10
RP83K1808	8	R1/8	7.5	14.5	15	38	26.5	15	12	10
RP83K1408	8	R1/4	9.5	17.5	15	41.5	29	15	14	10
RP83K3808	8	R3/8	10.5	18.5	15.7	49.5	30	15	19	10
RP83K1208	8	R1/2	13.5	25.5	21.5	60	32.5	15	24	10
RP83K1810	10	R1/8	7.5	18	19	44	30.5	19	12	10
RP83K1410	10	R1/4	9.5	18.5	21.5	44.8	32.5	19	14	10
RP83K3810	10	R3/8	10.5	20.5	21.5	53	33	19	19	10
RP83K1210	10	R1/2	13.5	25.5	21.5	60	36	19	24	10
RP83K1412	12	R1/4	9.5	18.5	21.5	44.8	33.5	21.5	14	10
RP83K3812	12	R3/8	10.5	22	21.5	53	35.5	21.5	19	10
RP83K1212	12	R1/2	13.5	25.5	21.5	60	36.5	21.5	24	10



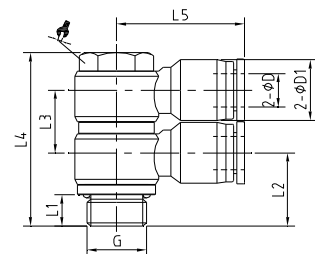
RP **83**



#### Doppio L maschio girevole cilindrico BSPP

Double L male (rotating body) parallel BSPP  
Winkelschraubverschraubung 2-Fach Drehbar, zylindrisches Gewinde

Codice/Code	ØD	G"	L1	L2	L3	L4	L5	ØD1	🔧	🗑️
RP831804	4	G1/8	5.5	14	15	38	23.5	11.5	12	10
RP831806	6	G1/8	5.5	14	15	38	23.5	13.5	12	10
RP831406	6	G1/4	7.5	17.3	15	41.5	25.4	13.5	14	10
RP833806	6	G3/8	7.5	19	15.7	49.5	29.5	13.5	19	10
RP831808	8	G1/8	5.5	15	15	38	26.5	15	12	10
RP831408	8	G1/4	7.5	18.3	15	41.5	29	15	14	10
RP833808	8	G3/8	7.5	19	15.7	49.5	30	15	19	10
RP831208	8	G1/2	10	24.5	21.5	57	32.5	15	24	10
RP831810	10	G1/8	5.5	16.8	19	42.5	30.5	19	12	10
RP831410	10	G1/4	7.5	20	21.5	44.8	32.5	19	14	10
RP833810	10	G3/8	7.5	21	21.5	53	33	19	19	10
RP831210	10	G1/2	10	25	21.5	60	36	19	24	10
RP831412	12	G1/4	7.5	21.5	21.5	44.8	33.5	21.5	14	10
RP833812	12	G3/8	7.5	22	21.5	53	35.5	21.5	19	10
RP831212	12	G1/2	10	26	21.5	60.5	36.5	21.5	24	10



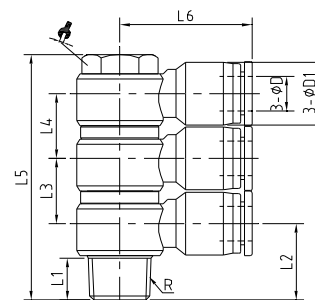
RP **84K**



#### Tripla L maschio girevole conico BSPT

Triple L male (rotating body) taper BSPT  
Winkelschraubverschraubung 3-Fach Drehbar, konisches Gewinde

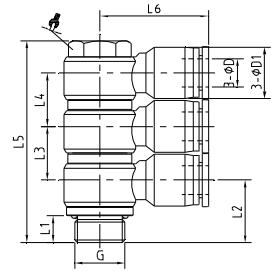
Codice/Code	ØD	R"	L1	L2	L3	L4	L5	L6	ØD1	🔧	🗑️
RP84K1804	4	R1/8	7.5	14	15	15	53	23.5	11.5	12	30
RP84K1404	4	R1/4	9.5	16.5	15	15	56.5	25.5	11.5	14	20
RP84K1806	6	R1/8	7.5	14	15	15	53	23.5	13.5	12	30
RP84K1406	6	R1/4	9.5	16.5	15	15	56.5	25.4	13.5	14	20
RP84K3806	6	R3/8	10.5	18.5	15.7	15.7	65.3	29.5	13.5	19	15
RP84K1808	8	R1/8	7.5	14.5	15	15	53	26.5	15	12	30
RP84K1408	8	R1/4	9.5	17.5	15	15	56.5	29	15	14	20
RP84K3808	8	R3/8	10.5	18.5	15.7	15.7	65.3	30	15	19	15
RP84K1208	8	R1/2	13.5	25.5	21.5	21.5	81.5	32.5	15	24	10
RP84K1810	10	R1/8	7.5	18	19	19	63	30.5	19	12	15
RP84K1410	10	R1/4	9.5	18.5	21.5	21.5	69.5	32.5	19	14	15
RP84K3810	10	R3/8	10.5	20.5	21.5	21.5	78	33	19	19	15
RP84K1210	10	R1/2	13.5	25.5	21.5	21.5	81.5	36	19	24	10
RP84K1412	12	R1/4	9.5	18.5	21.5	21.5	69.5	33.5	21.5	14	10
RP84K3812	12	R3/8	10.5	22	21.5	21.5	78	35.5	21.5	19	10
RP84K1212	12	R1/2	13.5	30	21.5	21.5	81.5	36.5	21.5	24	10



## RP 84



**Tripla L maschio girevole cilindrico BSPP**  
 Triple L male (rotating body) parallel BSPP  
 Winkeleinschraubverschraubung 3-Fach  
 Drehbar zylindrisches Gewinde

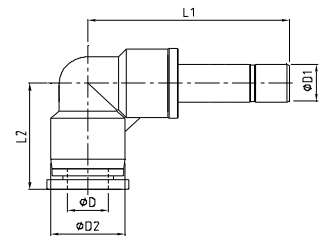


Codice/Code	ØD	G"	L1	L2	L3	L4	L5	L6	ØD1	↻	■
RP841804	4	G1/8	5.5	14	15	15	53	23.5	11.5	12	10
RP841404	4	G1/4	7.5	17.3	15	15	56.3	25.5	11.5	14	10
RP841806	6	G1/8	5.5	14	15	15	53	23.5	13.5	12	10
RP841406	6	G1/4	7.5	17.3	15	15	56.3	25.4	13.5	14	10
RP843806	6	G3/8	7.5	19	15.7	15.7	64.4	29.5	13.5	19	10
RP841808	8	G1/8	5.5	15	15	15	53	26.5	15	12	10
RP841408	8	G1/4	7.5	18.3	15	15	56.3	29	15	14	10
RP843808	8	G3/8	7.5	19	15.7	15.7	64.4	30	15	19	10
RP841208	8	G1/2	10	24.5	21.5	21.5	82	32.5	15	24	10
RP841810	10	G1/8	5.5	16.8	19	19	61.5	30.3	19	12	10
RP841410	10	G1/4	7.5	20	21.5	21.5	69.3	32.5	19	14	10
RP843810	10	G3/8	7.5	21	21.2	21.2	75.4	33	19	19	10
RP841210	10	G1/2	10	25	21.5	21.5	82	36	19	24	10
RP841412	12	G1/4	7.5	21.5	21.5	21.5	69.3	33.5	21.5	14	10
RP843812	12	G3/8	7.5	22	21.2	21.2	75.4	35.5	21.5	19	10
RP841212	12	G1/2	10	26	21.5	21.5	82	36.5	21.5	24	10

## RP 85



**L intermedio con codolo**  
 L intermediate with plug-in  
 Winkelanschluss

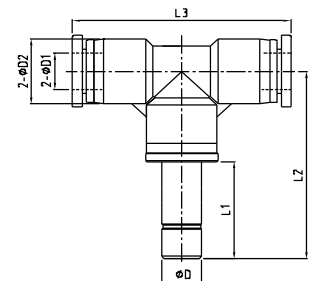


Codice/Code	ØD	ØD1	ØD2	L1	L2		■
RP850004	4	4	11.5	33.7	19		10
RP850006	6	6	13.5	34	19.2		10
RP850008	8	8	15	38.5	22.5		10
RP850010	10	10	19	46.8	27.8		10
RP850012	12	12	21.5	49.5	29.5		10
RP850604	4	6	11.5	34	19		10
RP850806	6	8	13.5	35.7	19.2		10
RP851008	8	10	15	42.5	22.5		10
RP851210	10	12	19	48.3	27.8		10

## RP 86



**T intermedio con codolo centrale**  
 T intermediate with central plug-in  
 T Verteiler



Codice/Code	ØD	ØD1	ØD2	L1	L2	L3		■
RP860004	4	4	11.5	19	35	38		10
RP860006	6	6	13.5	19	35.8	39		10
RP860008	8	8	15	20.5	40.5	45		10
RP860010	10	10	19	24.5	49.5	57		10
RP860012	12	12	21.5	26	52	59		10
RP860604	6	4	11.5	19	35.3	38		10
RP860806	8	6	13.5	20.5	37.5	39		10
RP861008	10	8	15	24.5	43.5	45		10
RP861210	12	10	19	26	51	57		10



# Raccordi ad innesto rapido in polimero

Plastic push-in fittings  
Steckverschraubungen Kunststoff

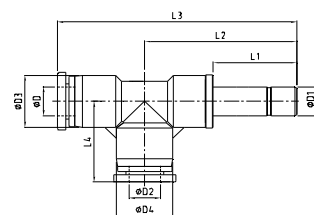
## RP 87



### T intermedio con codolo laterale

T intermediate with lateral plug-in  
L Verteiler

Codice/Code	ØD	ØD1	ØD2	ØD3	ØD4	L1	L2	L3	L4	
RP870004	4	4	4	11.5	11.5	19	35	54	19	10
RP870006	6	6	6	13.5	13.5	19	35.8	55	19.2	10
RP870008	8	8	8	15	15	20.5	40.5	63	22.5	10
RP870010	10	10	10	19	19	24.5	49.5	77.3	27.8	10
RP870012	12	12	12	21.5	21.5	26	52	81.5	29.5	10
RP870604	6	6	4	13.5	13.5	19	35.8	55	19.2	10
RP870806	8	8	6	15	15	20.5	40.5	63	22.5	10
RP871008	10	10	8	19	19	24.5	49.5	77.3	27.8	10
RP871210	12	12	10	21.5	21.5	26	52	81.5	29.5	10



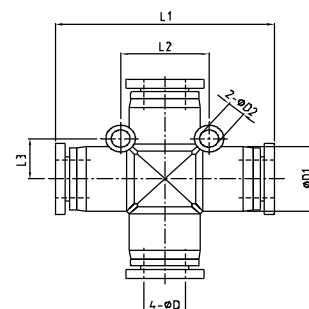
## RP 88



### Croce intermedio

Cross intermediate  
Kreuzverteiler

Codice/Code	ØD	ØD1	ØD2	L1	L2	L3				
RP880004	4	11.5	3.2	38	14	7				10
RP880006	6	13.5	3.2	39	16	8				10
RP880008	8	15	3.2	45	18	9				10
RP880010	10	19	4.2	57	24	12				10
RP880012	12	21.5	4.3	59	27	13.5				10



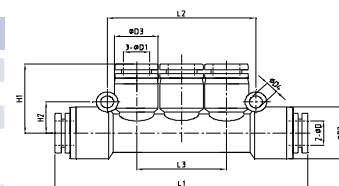
## RP 89



### T multiplo

Multi T  
T Mehrfachverteiler

Codice/Code	ØD	ØD1	ØD2	ØD3	ØD4	L1	L2	L3	H1	H2	
RP890404	4	4	14.5	13	3.2	57	36	22	19	8	10
RP890606	6	6	14.5	13	3.2	58	36	22	19.5	8	10
RP890808	8	8	19	14.5	4.2	84	61	29	24.5	11.5	10
RP891010	10	10	19	14.5	4.2	87	61	29	26	11.5	10
RP890604	6	4	14.5	13	3.2	58	36	22	19	8	10
RP890804	8	4	18.4	14.5	3.2	62	42	26	20.5	9	10
RP890806	8	6	18.4	14.5	3.2	81	48	29	24.5	9	10
RP891006	10	6	19	14.5	4.2	87	61	29	24.5	11.5	10
RP891008	10	8	19	14.5	4.2	87	61	29	24.5	11.5	10

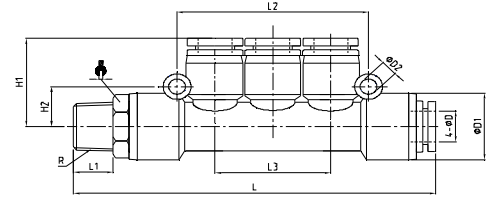


### RP 90K



#### T maschio multiplo conico BSPT

Multi T male taper BSPT  
T-Mehrfachverteiler mit konisches Gewindeischem Gewinde



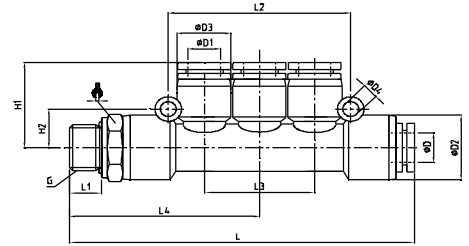
Codice/Code	ØD	R"	L1	L	L2	L3	ØD1	ØD2	H1	H2	90°	🔧
RP90K1804	4	R1/8	7.5	68.5	42	22	13	3.2	19	9	10	10
RP90K1806	6	R1/8	7.5	70	42	26	14.5	3.2	20.5	9	12	10
RP90K1406	6	R1/4	9.5	72	42	26	14.5	3.2	20.5	9	14	10
RP90K1808	8	R1/8	7.5	89	48	29	18.4	3.2	24	11	14	10
RP90K1408	8	R1/4	9.5	91	48	29	18.4	3.2	24	11	14	10
RP90K3808	8	R3/8	10.5	92.5	48	29	18.4	3.2	24	11	17	10
RP90K1410	10	R1/4	9.5	102	60.8	36.8	18.4	4.2	28.5	11	17	10
RP90K3810	10	R3/8	10.5	103	60.8	36.8	18.4	4.2	28.5	11	17	10

### RP 90



#### T maschio multiplo cilindrico BSPP

Multi t male parallel BSPP  
T Mehrfachverteiler mit zylindrisches Gewindeischem Gewinde



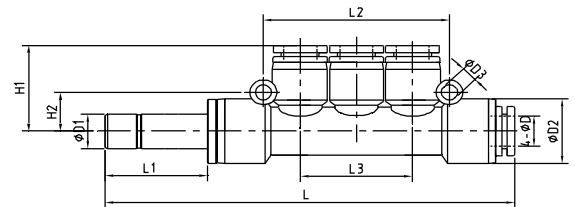
Codice/Code	ØD	G"	ØD1	ØD2	ØD3	ØD4	H1	H2	L	L1	L2	L3	L4	90°	🔧
RP901804	4	G1/8	4	14.5	13	3.2	19	9	68	5.5	42	26	37.5	14	10
RP901806	6	G1/8	6	14.5	13	3.2	20.5	9	68	5.5	42	26	37.5	14	10
RP901406	6	G1/4	6	14.5	13	3.2	20.5	9	70	7.5	42	26	40	17	10
RP901808	8	G1/8	8	18.4	14.5	3.2	24	11	87	5.5	48	29	47	14	10
RP901408	8	G1/4	8	18.4	14.5	3.2	24	11	89	7.5	48	29	49.5	17	10
RP903808	8	G3/8	8	18.4	14.5	3.2	24	11	89.5	7.5	48	29	50	20	10
RP901410	10	G1/4	10	18.4	18.4	4.2	27.5	12	98	7.5	60.8	37	53	17	10
RP903810	10	G3/8	10	18.4	18.4	4.2	27.5	12	98.5	7.5	60.8	37	53.5	20	10

### RP 92



#### T multiplo con codolo

Multi T with plug-in  
T Mehrfachverteiler



Codice/Code	ØD	ØD1	L	L1	L2	L3	H1	H2	ØD2	ØD3	🔧
RP920004	4	4	75	19	42	22	19	9	13.5	3.2	30
RP920006	6	6	79	19	42	26	20.5	9	15	3.2	20
RP920008	8	8	99	20.5	48	29	24	11	19	3.2	15
RP920010	10	10	114.5	24.5	60.8	36.8	28.5	11	18.4	3.2	10
RP920604	4	6	75	19	36	22	19	8	13.5	3.2	20
RP920804	4	8	76.5	20.5	36	22	19	8	13.5	3.2	15
RP920806	6	8	80.5	20.5	42	26	20.5	9	15	3.2	15
RP921006	6	10	103.5	24.5	61	29	24	11	19	4.2	10
RP921008	8	10	103.5	24.5	61	29	24	11	19	4.2	10



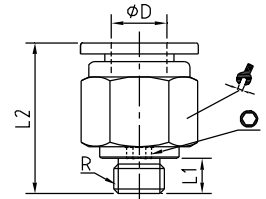
### RP 51K-C



#### Diritto compatto maschio conico BSPT-metrico

Mini male straight taper BSPT-metric  
Gerade Einschraubverschraubung konisches Gewinde "MINI"

Codice/Code	ØD	R"	L1	L2	○	⚡			
RP51M303C	3	M3X0.5	3.5	15		8			10
RP51M503C	3	M5X0.8	3.5	16	2	8			10
RP51K1803C	3	R1/8	7.5	15	2	10			10
RP51M304C	4	M3X0.5	3.5	17.5		8			10
RP51M504C	4	M5X0.8	3.5	18.5	2	8			10
RP51M604C	4	M6X1.0	4	19	2	10			10
RP51K1804C	4	R1/8	7.5	16	3	10			10
RP51K1404C	4	R1/4	9.5	18	3	14			10
RP51M506C	6	M5X0.8	3.5	18	2	10			10
RP51M606C	6	M6X1.0	4	18.5	2	10			10
RP51K1806C	6	R1/8	7.5	18.5	4	10			10



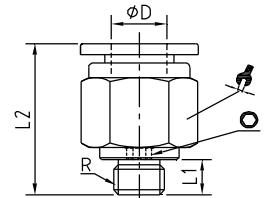
### RP 51-C



#### Diritto compatto maschio cilindrico BSP

Mini male straight parallel BSP  
Gerade Einschraubverschraubung zylindrisches Gewinde "MINI"

Codice/Code	ØD	R"	L1	L2	○	⚡			
RP511804C	4	G1/8	5.5	15.2	3	14			10
RP511404C	4	G1/4	7.5	17.2	3	17			10
RP511806C	6	G1/8	5	17.2	4	13			10
RP511406C	6	G1/4	7.5	18.5	4	17			10



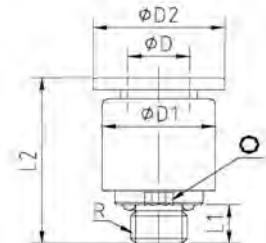
### RP 51T-C



#### Diritto compatto tondo maschio conico BSPT-metrico

Mini round male straight taper BSPT-metric  
Rund Gerade Einschraubverschraubung konisches Gewinde "MINI"

Codice/Code	ØD	R"	L1	L2	ØD1	○	ØD2		
RP51TM303C	3	M3X0.5	3.5	15	6.5		7.5		10
RP51TM503C	3	M5X0.8	3.5	16	8	2	7.5		10
RP51TM304C	4	M3X0.5	3.5	17.5	8		10		10
RP51TM504C	4	M5X0.8	3.5	18	8	2	10		10
RP51TM604C	4	M6X1.0	4	18.5	8	2	10		10
RP51TK1804C	4	R1/8	7.5	15.5	10	3	10		10
RP51TM506C	6	M5X0.8	3.5	18	10	2	11.5		10
RP51TM606C	6	M6X1.0	4	18.5	10	2	11.5		10
RP51TK1806C	6	R1/8	7.5	18.5	10	4	11.5		10



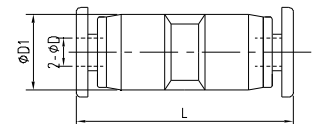
### RP 53-C



#### Diritto intermedio compatto

Mini straight intermediate  
Gerader Verbinder "MINI"

Codice/Code	ØD	ØD1	L						
RP530003C	3	7.5	21						10
RP530004C	4	9.5	26.5						10
RP530006C	6	11.5	27.5						10



## Raccordi ad innesto rapido in polimero serie mini

Compact plastic push-in fittings mini serie  
Steckverschraubungen Kunststoff Serie mini

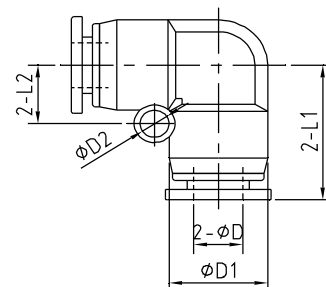
### RP 54-C



#### L intermedio compatto

Mini elbow intermediale  
Winkelverbinder "MINI"

Codice/Code	ØD	ØD1	ØD2	L1	L2				
RP540003C	3	7.5	3.2	12	4.8				10
RP540004C	4	9.5	3.2	14.5	6				10
RP540006C	6	11.5	3.2	16	6.5				10



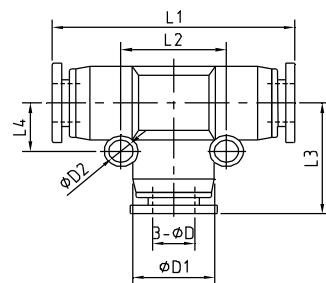
### RP 55-C



#### T intermedio compatto

Mini T intermediale  
T Verbinder "MINI"

Codice/Code	ØD	ØD1	ØD2	L1	L2	L3	L4		
RP550003C	3	7.5	3.2	23.5	9.6	11.8	4.8		10
RP550004C	4	9.5	3.2	29	12	14.5	6		10
RP550006C	6	11.5	3.2	32	13	16	6.5		10



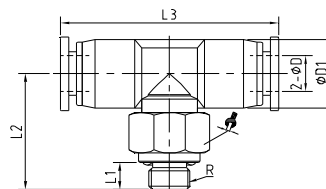
### RP 70-C



#### T al centro compatto girevole conico BSPT-metrico

Mini central T male (rotating body) taper BSPT-metric  
T-Einschraubverschraubung Drehbar, konisches Gewinde "MINI"

Codice/Code	ØD	R"	L1	L2	L3	ØD1			
RP70M303C	3	M3X0.5	3.5	16	24	7.5	8		10
RP70M503C	3	M5X0.8	3.5	16	24	7.5	8		10
RP70K1803C	3	R1/8	7.5	16.5	24	7.5	10		10
RP70M304C	4	M3X0.5	3.5	17.2	28	9.5	8		10
RP70M504C	4	M5X0.8	3.5	17.2	28	9.5	8		10
RP70M604C	4	M6X1.0	4	17.6	28	9.5	10		10
RP70K1804C	4	R1/8	7.5	18	28	9.5	10		10
RP70M506C	6	M5X0.8	3.5	18.2	32	11.5	8		10
RP70M606C	6	M6X1.0	4	18.6	32	11.5	10		10
RP70K1806C	6	R1/8	7.5	19	32	11.5	10		10



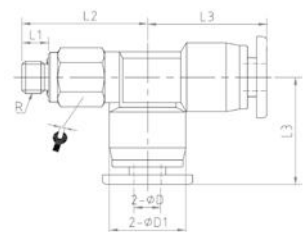
### RP 71-C



#### T laterale compatto girevole conico BSPT-metrico

Mini lateral T male (rotating body) taper BSPT-metric  
T-Verschraubung Drehbar, konisches Gewinde "MINI"

Codice/Code	ØD	R"	L1	L2	L3	ØD1			
RP71M303C	3	M3X0.5	3.5	16	12	7.5	8		10
RP71M503C	3	M5X0.8	3.5	16	12	7.5	8		10
RP71K1803C	3	R1/8	7.5	16.5	12	7.5	10		10
RP71M304C	4	M3X0.5	3.5	17.2	14	9.5	8		10
RP71M504C	4	M5X0.8	3.5	17.2	14	9.5	8		10
RP71M604C	4	M6X1.0	4	17.6	14	9.5	10		10
RP71K1804C	4	R1/8	7.5	18	14	9.5	10		10
RP71M506C	6	M5X0.8	3.5	18.2	14.5	11.5	8		10
RP71M606C	6	M6X1.0	4	18.6	14.5	11.5	10		10
RP71K1806C	6	R1/8	7.5	19	14.5	11.5	10		10



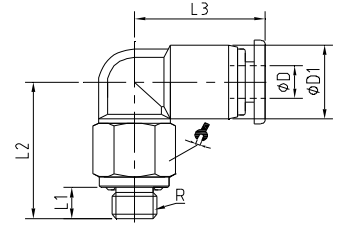
### RP 72K-C



#### Gomito compatto maschio girevole conico BSPT-metrico

Mini elbow male (rotating body) taper BSPT-metric  
Winkelverschraubung Drehbar, konisches Gewinde "MINI"

Codice/Code	ØD	R"	L1	L2	L3	ØD1			
RP72M303C	3	M3X0.5	3.5	16	12	7.5	8		10
RP72M503C	3	M5X0.8	3.5	16	12	7.5	8		10
RP72K1803C	3	R1/8	7.5	16.5	12	7.5	10		10
RP72M304C	4	M3X0.5	3.5	17.2	14	9.5	8		10
RP72M504C	4	M5X0.8	3.5	17.2	14	9.5	8		10
RP72M604C	4	M6X1.0	4	17.6	14	9.5	10		10
RP72K1804C	4	R1/8	7.5	18	14	9.5	10		10
RP72M506C	6	M5X0.8	3.5	17.2	16	11.5	8		10
RP72M606C	6	M6X1.0	4	17.6	16	11.5	10		10
RP72K1806C	6	R1/8	7.5	18	16	11.5	10		10



### RP 72-C



#### Gomito compatto maschio girevole cilindrico BSPP

Mini elbow male (rotating body) parallel BSPP  
Winkelverschraubung Drehbar zylindrisches Gewinde "MINI"

Codice/Code	ØD	R"	L1	L2	L3	ØD1			
RP721804C	4	G1/8	5.5	16.5	14	9.5	14		10
RP721404C	4	G1/4	7.5	19.5	14	9.5	17		10
RP721806C	6	G1/8	5.5	16.5	16	11.5	14		10
RP721406C	6	G1/4	7.5	19.5	16	11.5	17		10

